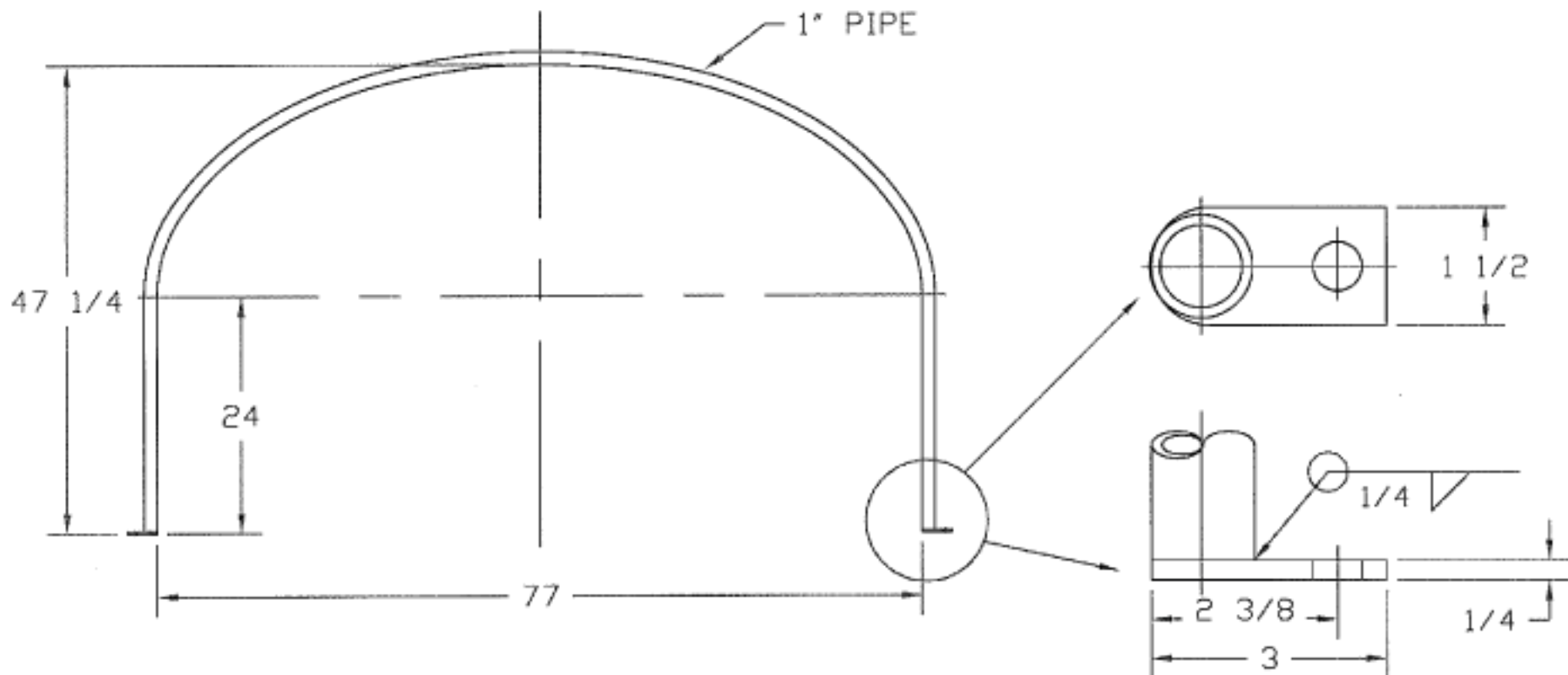



REVISIONS				
ZONE	REV	DESCRIPTION	DATE	APPROVED
	A	RE DRAWN	25JUN97	



HOT-DIPPED GALVANIZED FINISH	 PEABODY engineering			
	BAND, 1035 ELLIPTICAL LEG TANK			
JTP	25JUN97	SIZE A	FSCM NO.	DWG NO.
		SCALE 1/16		SHEET
			REV A	